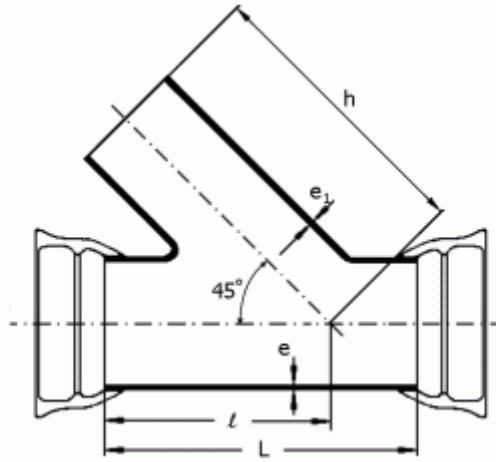




●Type T Double Socket Tee with 45° Angle Spigot Branch



Unit: mm

Body			Branch			Weight (kg)	
DN	e	L	l	dn	e ₁		h
80	8.1	500	375	80	8.1	459	20.1
100	8.4	520	390	80	8.1	474	24.3
	8.4	540	405	100	8.4	493	26.6
150	9.1	570	430	80	8.1	514	37.5
	9.1	590	445	100	8.4	533	40.1
200	9.1	640	480	150	9.1	574	46.6
	9.8	640	490	100	8.4	578	56.5
	9.8	690	525	150	9.1	619	63.4
250	9.8	735	560	200	9.8	660	72.6
	10.5	740	570	150	9.1	664	84.7
	10.5	785	605	200	9.8	705	94.3
300	10.5	830	640	250	10.5	745	104.9
	11.2	785	605	150	9.1	699	108.7
	11.2	830	640	200	9.8	740	118.8
	11.2	885	680	250	10.5	785	131.1
350	11.2	930	715	300	11.2	825	144.7
	11.9	755	680	200	9.8	780	136.7
	11.9	795	715	250	10.5	820	148.2
	11.9	840	755	300	11.2	865	162.3
400	11.9	880	790	350	11.9	900	176.9
	12.6	810	725	200	9.8	825	168.5
	12.6	840	755	250	10.5	860	179.4
	12.6	880	790	300	11.2	900	193.3
	12.6	930	835	350	11.9	945	210.5
450	12.6	970	870	400	12.6	980	227.6
	13.3	900	805	250	10.5	910	216.8
	13.3	930	835	300	11.2	945	230.0
	13.3	970	870	350	11.9	980	245.9
	13.3	1015	910	400	12.6	1020	265.4
	13.3	1060	950	450	13.3	1070	287.1



Unit: mm

Body			Branch			Weight (kg)	
DN	e	L	l	dn	e ₁		h
500	14.0	930	835	250	10.5	940	255.9
	14.0	970	870	300	11.2	980	271.4
	14.0	1015	915	350	11.9	1025	289.7
	14.0	1060	955	400	12.6	1065	309.0
	14.0	1100	990	450	13.3	1110	331.5
	14.0	1140	1025	500	14.0	1145	364.4
600	15.4	1060	955	300	11.2	1065	369.5
	15.4	1110	1000	350	11.9	1110	391.3
	15.4	1140	1025	400	12.6	1135	408.5
	15.4	1180	1065	450	13.3	1185	433.1
	15.4	1220	1100	500	14.0	1220	456.9
	15.4	1310	1180	600	15.4	1300	516.4

SHIN NAN CASTING FACTORY CO., LTD.

SHIN NAN CASTING FACTORY CO., LTD.

SHIN NAN CASTING FACTORY CO., LTD.

SHIN NAN CASTING FACTORY CO., LTD.

SHIN NAN CASTING FACTORY CO., LTD.

SHIN NAN CASTING FACTORY CO., LTD.

SHIN NAN CASTING FACTORY CO., LTD.

SHIN NAN CASTING FACTORY CO., LTD.